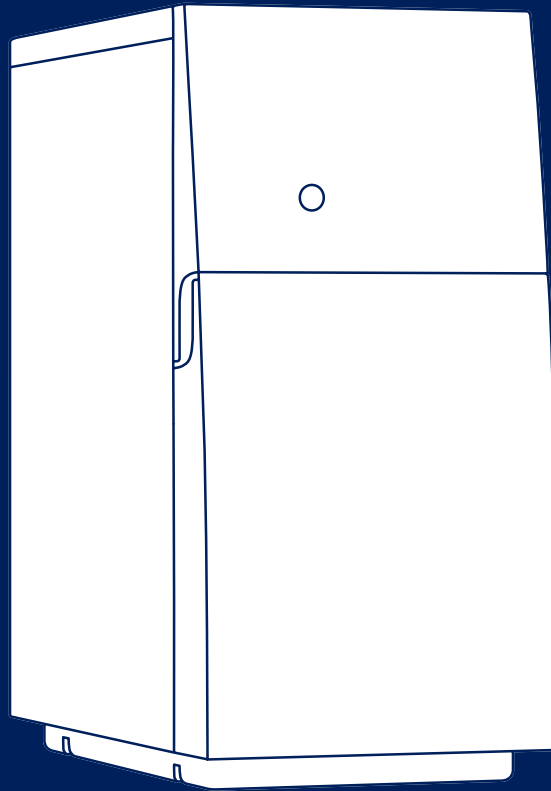


SPARE PARTS AND
CONSUMABLES CATALOG

SECOND QUARTER 2015



BLUEWATER PRO

WATER PURIFIER





SPARE PARTS, CONSUMABLES & ACCESSORIES

The Bluewater Pro water purifier is designed to turn your tap water into healthier drinking water. Innovated with love in Sweden, Bluewater's SuperiorOsmosis™ technology improves quality of life, health and wellbeing by removing practically all contamination, including microorganisms, pesticides, heavy metals and toxins. Regular maintenance, genuine spare parts and consumables assure the performance and lifespan of your product. To eliminate mistakes, when ordering Spare Parts, always start by identifying your Model Name and Product Number and use them to determine the correct Spare Part Number. Please note that this catalogue is updated regularly, which means the Part Number will also change regularly. You can always find the latest edition of this document at www.bluewatergroup.com

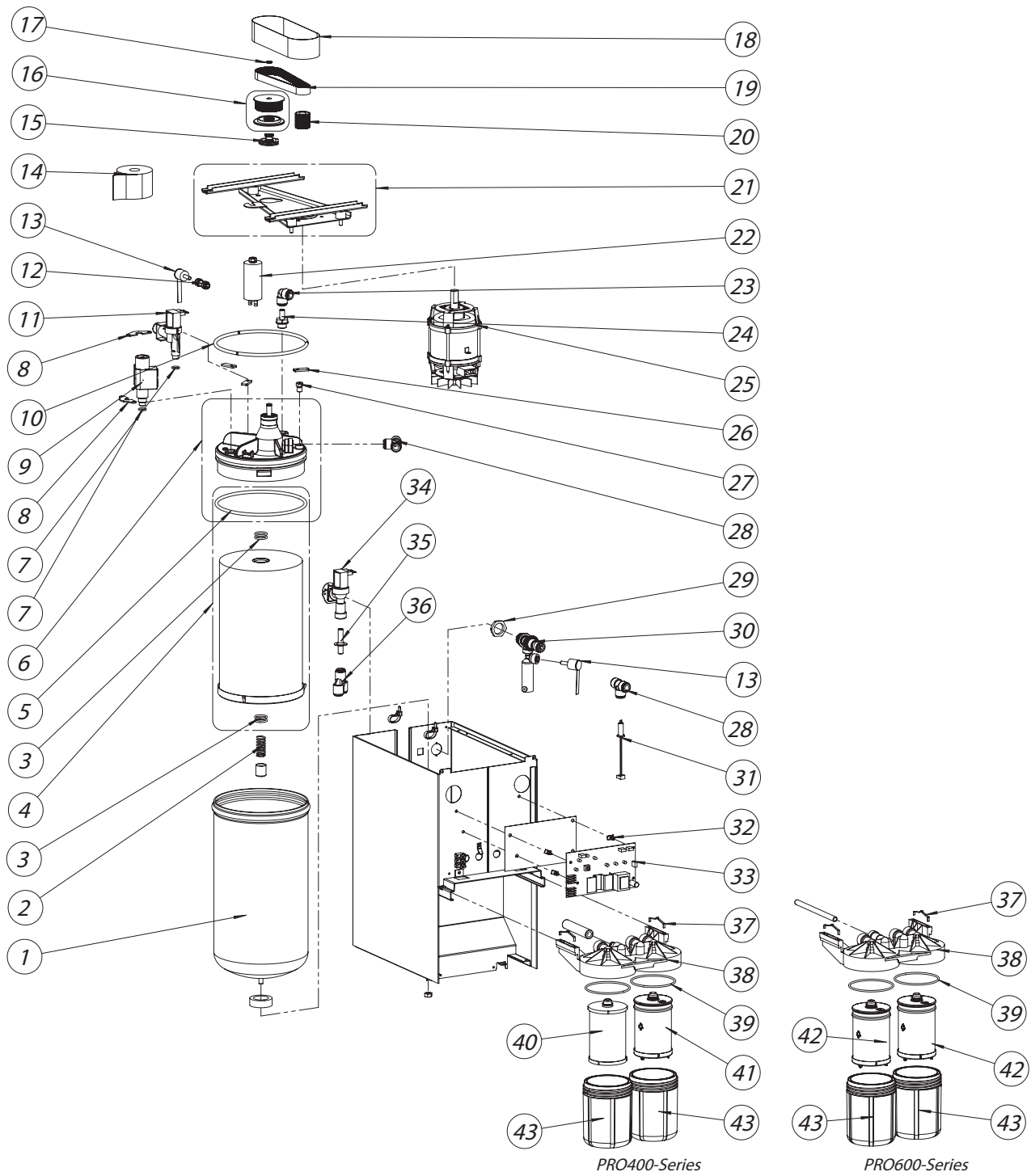
Models

Model Name	Product No.	Model range	Membrane	Reference
Bluewater Pro 600C-HF China	919240141	Pro 600-series	HF	A
Bluewater Pro 400C-HF China	919240142	Pro 400-series	HF	A
Bluewater Pro 400B-HR EU	919240160	Pro 400-series	HR	B
Bluewater Pro 400CV-HR EU	919240161	Pro 400-series	HR	C
Bluewater Pro 400C-HF EU	919240162	Pro 400-series	HF	D
Bluewater Pro 400C-HR EU	919240163	Pro 400-series	HR	D
Bluewater Pro 400BCV-HR EU	919240164	Pro 400-series	HR	E
Bluewater Pro 600C-HF EU	919240170	Pro 600-series	HF	D
Bluewater Pro 600CV-HR EU	919240171	Pro 600-series	HR	C
Bluewater Pro 400CV-HR UK	919240180	Pro 400-series	HR	F
Bluewater Pro 400C-HF UK	919240181	Pro 400-series	HF	G
Bluewater Pro 400C-HR UK	919240182	Pro 400-series	HR	G
Bluewater Pro 600CV-HR UK	919240183	Pro 600-series	HR	F

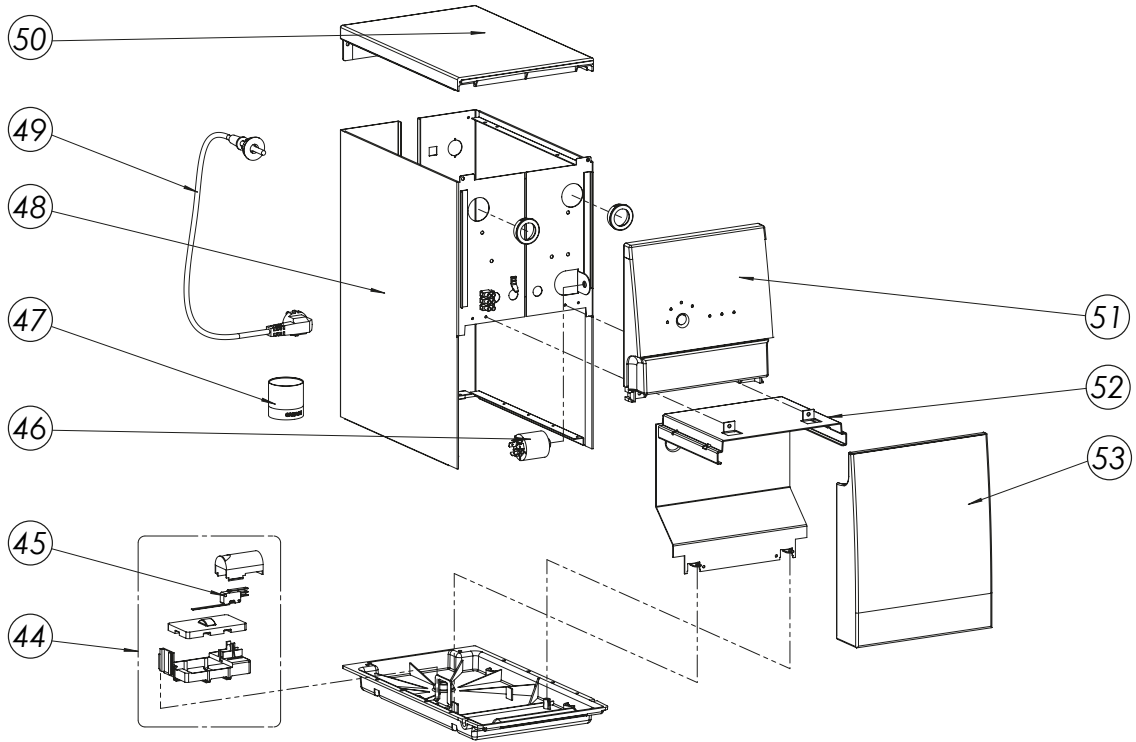
Models

Model Name	Product No.	Model range	Membrane	Reference
Bluewater Pro 600C-HF UK	919240184	Pro 600-series	HF	G
Pro 400C-HF EU	919240190	Pro 400-series	HF	D
Pro 400C-HR EU	919240191	Pro 400-series	HR	D
Pro 600C-HF EU	919240192	Pro 600-series	HF	D
RO400-HR EU Dometic (expired)	919240104	Pro 400-series	HR	H
RO400-HR EU Dometic (expired)	919240109	Pro 400-series	HR	H
RO400B-HR EU (expired)	919240110	Pro 400-series	HR	B
RO400CV-HR EU (expired)	919240112	Pro 400-series	HR	C
RO400C-HF EU (expired)	919240121	Pro 400-series	HF	D
RO400BC-HR EU (expired)	919240122	Pro 400-series	HR	I
RO400C-HR EU (expired)	919240123	Pro 400-series	HR	D
RO400BCV-HR EU (expired)	919240129	Pro 400-series	HR	E
RO600C-HF EU Dometic (expired)	919240131	Pro 600-series	HF	D
RO600C-HF EU (expired)	919240132	Pro 600-series	HF	D
RO600CV-HR EU (expired)	919240133	Pro 600-series	HR	C
RO600C-HF UK (expired)	919240134	Pro 600-series	HF	G
RO600C-HF CN Dometic (expired)	919240135	Pro 600-series	HF	A
RO400C-HF CN Dometic (expired)	919240136	Pro 400-series	HF	A
Bluewater Pro 400C-HF China (white, expired)	919240140	Pro 400-series	HF	A

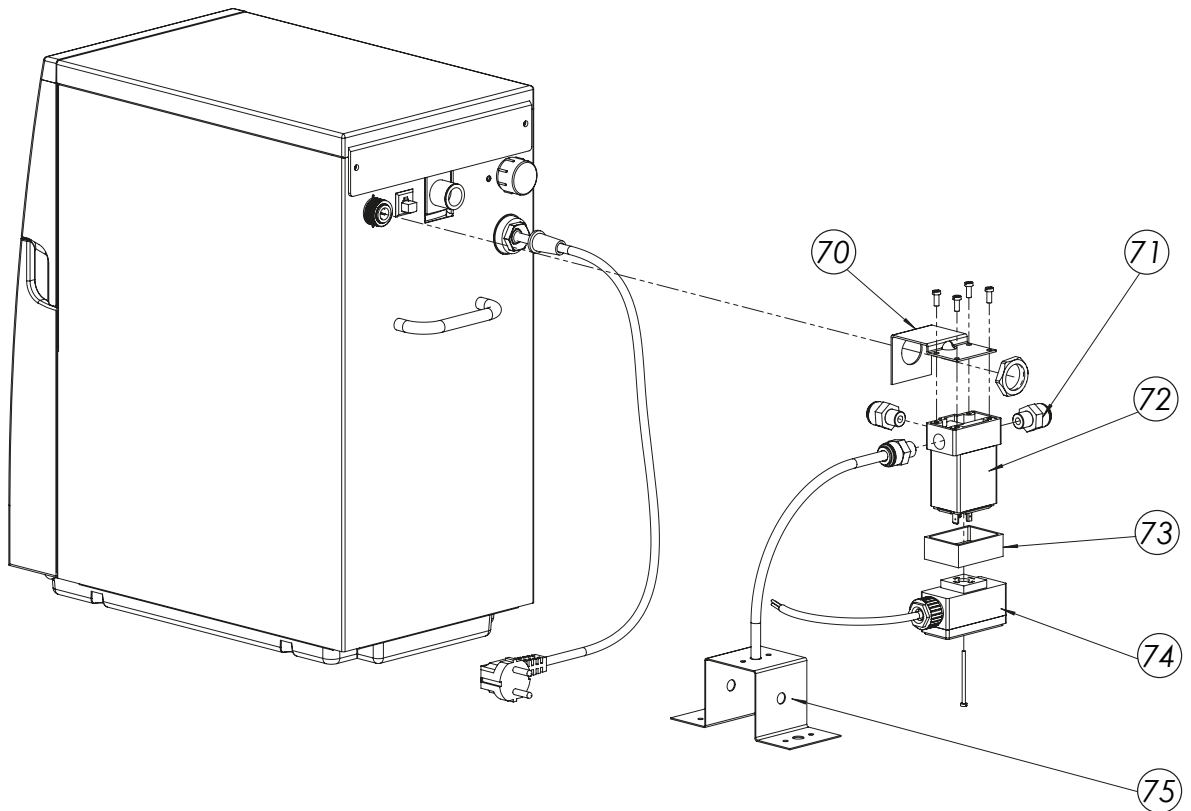
Components



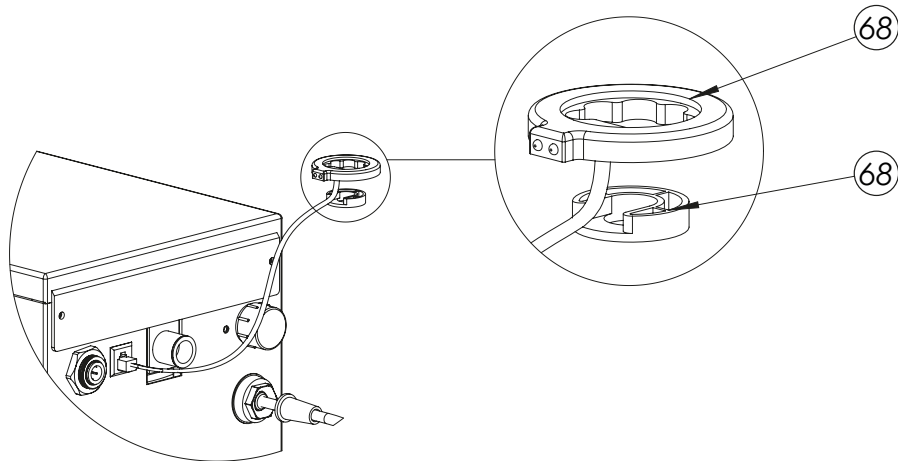
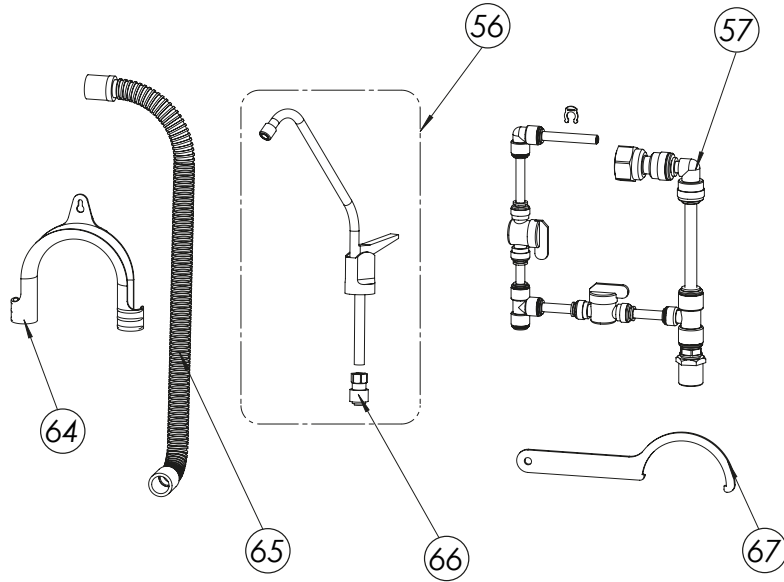
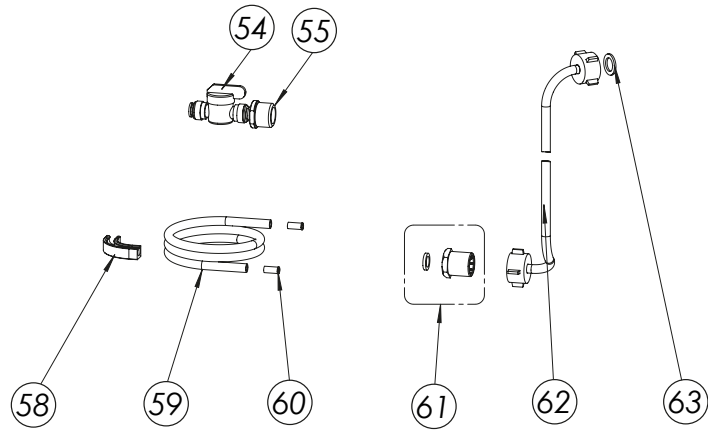
Components



For CV Models (C, E, F) only



Accessories



Component Description

Pos	Spare Part No.	Position Description	Reference	Units in box
1	150701200-SP	Pressure vessel, PRO-series	All Models	1
2	150704001-SP	Spring, support membrane, PRO-series	All Models	10
3	150707010-SP	O-ring, 19.2x3.0	All Models	10
4	150718900-SP	Membrane service kit PRO-series, High Rejection (HR)	All with membrane type HR	1
4	150718901-SP	Membrane service kit PRO-series, High Flow (HF)	All with membrane type HF	1
5	150707012-SP	O-ring, 169.3x5.7	All Models	5
6	150736301-SP	Pump service kit, PRO400-series (not B-version)	A, C, D, F, G and H	1
6	150736302-SP	Pump service kit, PRO400-series, B/BCV-versions	B, E and I	1
6	150798301-SP	Pump service kit, PRO600-series	Pro 600-series	1
7	150707009-SP	O-ring, 11.3x2.4	All Models	20
8	150704800-SP	Bracket for valve, PRO-series	All Models	10
9	150727380-SP	Pressure regulating valve, PRO-series	All Models	1
10	150701000-SP	Locking ring, PRO-series	All Models	3
11	150704703-SP	Valve drain, 230V, PRO400-series	Pro 400-series	1
11	150704704-SP	Valve drain, 230V, PRO600-series	Pro 600-series	1
12	150721400-SP	Quick connector, straight, 1/4"	All Models	5
12	150702181-SP	Hose reel, 1/4" x 2 m, with straight connector PRO-series	All Models	1
13	150750000-SP	Pressure sensor, PRO-series	All Models	10
14	150711600-SP	Tape, membrane, 33m x 50mm	All - Consumables	5
15	150723700-SP	Insulation ring, pump head, PRO-series	All Models	20
16	155016701-SP	Driving wheel kit, pump, PRO-series	All Models	5
17	150701901-SP	Retaining ring, pump, PRO-series	All Models	20
18	150721800-SP	Dust protection foil	All Models	10
19	150708300-SP	Driving belt, PRO-series	All Models	10
20	155008601-SP	Driving wheel motor, PRO-series, from 2009 serial no 91300000	All Models	5
20	155013500-SP	Driving wheel motor, PRO-series, up to serial no 91299999	All Models	5
21	155022300-SP	Holder motor complete, PRO-series	All Models	1
22	150701700-SP	Capacitor, 16 µF, PRO400-series	Pro 400-series	5
22	150797400-SP	Capacitor, 18 µF, PRO600-series	Pro 600-series	5
23	150704300-SP	Quick connector, equal elbow, 3/8"	All Models	5
24	150705600-SP	Adaptor, stem 3/8" to male G3/8"	All Models	5
25	150729385-SP	Motor 230V/500W, with pulley, PRO400-series	Pro 400-series	1
25	150729384-SP	Motor 230V/690W, with pulley, PRO600-series	Pro 600-series	1
26	150714400-SP	Locking piece, PRO-series	All Models	10
27	150731100-SP	Plug, plastic, G1/8, PRO-series	All Models	10
28	150717800-SP	Quick connector, equal tee, 3/8"	All Models	5

Component Description

Pos	Spare Part No.	Position Description	Reference	Units in box
29	150717100-SP	Nut, plastic, for pure water outlet	All Models	10
30	150715880-SP	Check valve and accumulator, kit	All Models	10
31	150746300-SP	Conductivity sensor, PRO-series	All Models	10
32	150712200-SP	Snap-in, holder PCB	All Models	10
33	155006504-SP	Circuit board 230V, PRO-series, C-versions	A, C, D, F and G	1
33	155007401-SP	Circuit board 230V, PRO-series, BC-versions	E and I	1
33	155007402-SP	Circuit board 230V, PRO-series, B-versions	B	1
33	155006503-SP	Circuit board 230V, PRO400	H	1
34	150707600-SP	Valve, inlet, 230V, PRO400-series	Pro 400-series	1
34	150707684-SP	Valve, inlet, 230V, PRO600-series	Pro 600-series	1
35	150798400-SP	Stem joint connector, 3/8"	Pro 600-series	5
36	150797000-SP	Quick connector, two way equal divider, hose 3/8"	Pro 600-series	5
37	150722700-SP	Retaining spring, filter lid, PRO-series	All Models	2
38	150718180-SP	Lid, prefilter, PRO400-series	Pro 400-series	1
38	150718101-SP	Lid, prefilter, PRO600-series	Pro 600-series	1
39	150707011-SP	O-ring, 83.0x3.0	All Models	20
40	919240082	Sediment filter, PRO400-series, single pack	Pro 400-series - Consumables	1
40	919240012	Sediment filter, PRO400-series, pack of 20	Pro 400-series - Consumables	20
40	919240022	Sediment filter, PRO400-series, pack of 64	Pro 400-series - Consumables	64
41	919240083	Carbon filter, granulated, PRO400-series, single pack	Pro 400-series - Consumables	1
41	919240013	Carbon filter, granulated, PRO400-series, pack of 20	Pro 400-series - Consumables	20
41	919240023	Carbon filter, granulated, PRO400-series, pack of 64	Pro 400-series - Consumables	64
42	150760900	Carbon block filter, PRO600-series, single pack	Pro 600-series - Consumables	1
42	919240015	Carbon block filter, PRO600-series, pack of 20	Pro 600-series - Consumables	20
42	919240025	Carbon block filter, PRO600-series, pack of 60	Pro 600-series - Consumables	60
43	150700300-SP	Filter container, PRO-series	All Models	5
44	155021900-SP	Leakage detection kit, PRO-series	All Models	1
45	155004801-SP	Microswitch, leakage detection	All Models	1
46	155021700-SP	Disturbance protection (RFI-filter)	All Models	1
47	150721701-SP	Grease, for o-rings, 10 grams	All - Consumables	1
48	150709101-SP	Cabinet, white, PRO-series	All Models	1
49	150724081-SP	Cord set complete, European plug, PRO-series	B, C, D, E and H	1
49	150724004-SP	Cord set complete, UK plug, PRO-series	F and G	1
49	150724002-SP	Cord set complete, Chinese plug, PRO-series	A	1
50	150706200-SP	Lid, white PRO-series	Observe color and print	1
50	150706202-SP	Lid, light-grey, PRO-series	Observe color and print	1
51	150723383-SP	Display panel complete, white, PRO-series, neutral	Observe color and print	1

Component Description

Pos	Spare Part No.	Position Description	Reference	Units in box
51	150723313-SP	Display panel complete, white, PRO-series, Bluewater branded	Observe color and print	1
51	150723310-SP	Display panel complete, grey, PRO-series, Bluewater branded	Observe color and print	1
51	150723320-SP	Display panel complete, grey, PRO-series, neutral	Observe color and print	1
52	150712800-SP	Slide rail, filter lid, PRO400-series	Pro 400-series	1
52	150712801-SP	Slide rail, filter lid, PRO600-series	Pro 600-series	1
53	150723284-SP	Door, white, PRO-series	Observe color and print	1
53	150709602-SP	Door, grey, PRO-series, neutral	Observe color and print	1
54	155014300-SP	Shut-off valve, hose 3/8"	All - Installation	1
55	155016601-SP	Adaptor, stem 3/8" to male G3/4"	All - Installation	10
56	150705981-SP	Faucet for drinking water	Pro 400-series - Accessory	5
57	155007501-SP	By-pass kit	All - Accessory	1
58	150706800-SP	Holder for 3/8" hose	All - Installation	5
59	150710091-SP	Hose PE 3/8" 10m (33ft)	All - Installation	1
59	150710085-SP	Hose PE 3/8" 2m (6.6 ft)	All - Installation	1
60	150726900-SP	Insert, 3/8" hose	All - Installation	10
61	155022200-SP	Adaptor, female G1/2" to male G3/4", with gasket	All - Installation	5
62	155010001-SP	Hose, inlet, PEX, 12x2	All - Installation	5
63	155010101-SP	Gasket, for nut inlet hose nut, 3/4"	All - Installation	10
64	150790300-SP	Holder, drain hose	All - Installation	10
65	150736600-SP	Drain hose, PRO-series	All - Installation	10
66	150736500-SP	Quick connector, tap 7/16" to hose 3/8"	Pro 400-series - Accessory	5
67	150704500-SP	Filter wrench	All - Accessory	10
68	150728900-SP	LED display, water quality, faucet attachment	Pro 400-series - Accessory	1
69	150729600-SP	Plastic washer, LED display, wire lead-through	Pro 400-series - Accessory	1
70	150733500-SP	Holder, pure water rinse valve, PRO-series, CV-versions	C, E and F	1
71	150733400-SP	Quick connector, male G1/4" to hose 3/8"	C, E and F	5
72	155006700-SP	Valve, for rinse function, 230V, PRO-series, CV-versions	C, E and F	1
73	150734700-SP	Protective cover, timer head, PRO-series	C, E and F	1
74	150735300-SP	Timerhead, PRO-series, 100-240V, CV/BCV-versions	C, E and F	1
75	150734500-SP	Holder, of hose for air gap	C, E and F	1
-	150720720-SP	Descaling agent, 200 grams, 20 packages	All - Consumables	20
-	150720701-SP	Descaling agent, 200 grams	All - Consumables	1
-	150720602-SP	Preservative anti-freeze, 1 litre bottle	All - Consumables	1

Consumables

Pos	Spare Part No.	Position Description	Reference	Units in box
40	919240082	Sediment filter, PRO400-series, single pack	Pro 400-series	1
40	919240012	Sediment filter, PRO400-series, pack of 20	Pro 400-series	20
40	919240022	Sediment filter, PRO400-series, pack of 64	Pro 400-series	64
41	919240083	Carbon filter, granulated, PRO400-series, single pack	Pro 400-series	1
41	919240013	Carbon filter, granulated, PRO400-series, pack of 20	Pro 400-series	20
41	919240023	Carbon filter, granulated, PRO400-series, pack of 64	Pro 400-series	64
42	150760900	Carbon block filter, PRO600-series, single pack	Pro 600-series	1
42	919240015	Carbon block filter, PRO600-series, pack of 20	Pro 600-series	20
42	919240025	Carbon block filter, PRO600-series, pack of 60	Pro 600-series	60
47	150721701-SP	Grease, for o-rings, 10 grams	All	1
14	150711600-SP	Tape, membrane, 33m x 50mm	All	5
-	150720602-SP	Preservative anti-freeze, 1 litre bottle	All	1
-	150720720-SP	Descaling agent, 200 grams, 20 packages	All	20
-	150720701-SP	Descaling agent, 200 grams	All	1

ORDER

It is important to take great care to assure that you have the right Product Number and identified the correct Spare Part in the list above. More information can also be found in our service video that can be found on www.bluewatergroup.com or on www.youtube.com/BluewaterPure

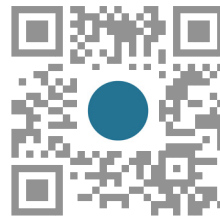
Place your order on orders@bluewatergroup.com. Should you have additional questions, you're always welcome to contact us on the phone.

DISCLAIMER

Bluewater water purification products should ideally be installed and maintained by qualified service professionals. Installing or maintaining Bluewater products without appropriate training may lead to serious property damage, personal injury, or death. We would therefore discourage independent installation or repairs. However if you intend to perform repairs yourself, please always use original spare parts. The information and instructions provided by Bluewater are intended for the use of Bluewater authorized service technicians and other qualified professionals.



Scan the QR code to visit the Bluewater Group website for more information about our products and how to order.



Scan the QR code to view the Instructional videos on the Bluewater YouTube channel.



Scan the QR code to view the Instructional videos on the Bluewater YouKu channel.

Bluewater is a world leading water purification company. Headquartered in Stockholm, Sweden, the company helps people and businesses in Europe, the USA, China and elsewhere in Asia enjoy the health and wellbeing benefits of cleaner, healthier tap water. Bluewater innovates, makes and sells compact water purifiers that harness the company's patented reverse osmosis technology to remove virtually all pollutants from tap water, including lead, bacteria, pesticides, medical residues, chlorine and lime-scale.

Please visit us at www.bluewatergroup.com



BLUEWATER

Danderydsgatan 11
SE-114 26 Stockholm
Sweden
E: info@bluewatergroup.com

www.bluewatergroup.com

